

# 1Trig 8Cyl 1Coil 5V Hall

Harness Required: E03 Ver 1.0 & E02 Ver 1.1

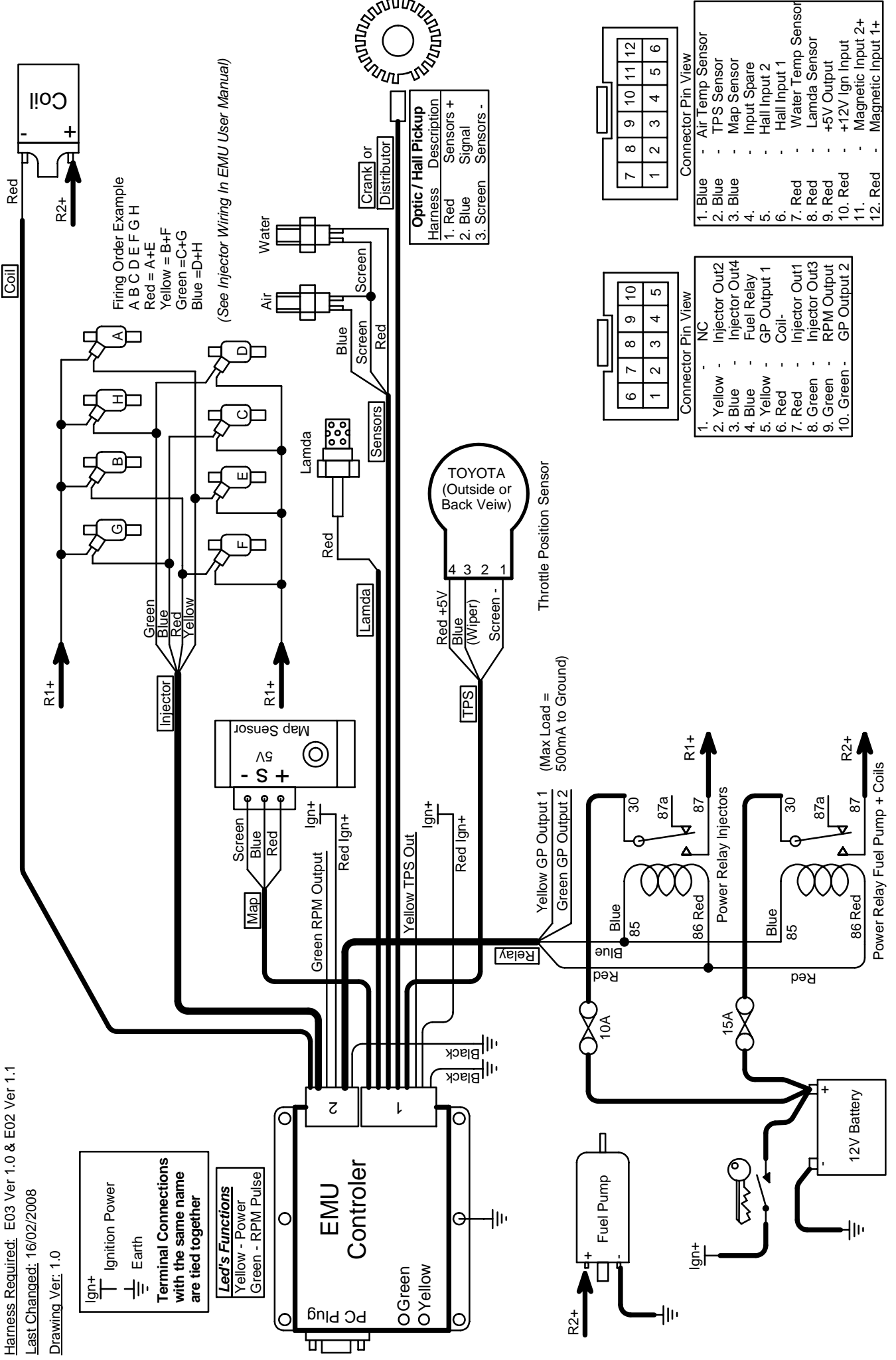
Last Changed: 16/02/2008

Drawing Ver: 1.0

Ign+ Ignition Power  
Earth

**Terminal Connections with the same name are tied together**

**Led's Functions**  
Yellow - Power  
Green - RPM Pulse



Firing Order Example  
A B C D E F G H  
Red = A+E  
Yellow = B+F  
Green = C+G  
Blue = D+H

(See Injector Wiring In EMU User Manual)

**Optic / Hall Pickup**

Harness	Description
1. Red	Sensors +
2. Blue	Signal
3. Screen	Sensors -

Connector Pin View

6	7	8	9	10
1	2	3	4	5

- 1. NC
- 2. Yellow - Injector Out2
- 3. Blue - Injector Out4
- 4. Blue - Fuel Relay
- 5. Yellow - GP Output 1
- 6. Red - Coil-
- 7. Red - Injector Out1
- 8. Green - Injector Out3
- 9. Green - RPM Output
- 10. Green - GP Output 2

Connector Pin View

7	8	9	10	11	12
1	2	3	4	5	6

- 1. Blue - Air Temp Sensor
- 2. Blue - TPS Sensor
- 3. Blue - Map Sensor
- 4. - Input Spare
- 5. - Hall Input 2
- 6. - Hall Input 1
- 7. Red - Water Temp Sensor
- 8. Red - Lamda Sensor
- 9. Red - +5V Output
- 10. Red - +12V Ign Input
- 11. - Magnetic Input 2+
- 12. Red - Magnetic Input 1+